



'Alto'- Air on Air Dynamic Mattress System





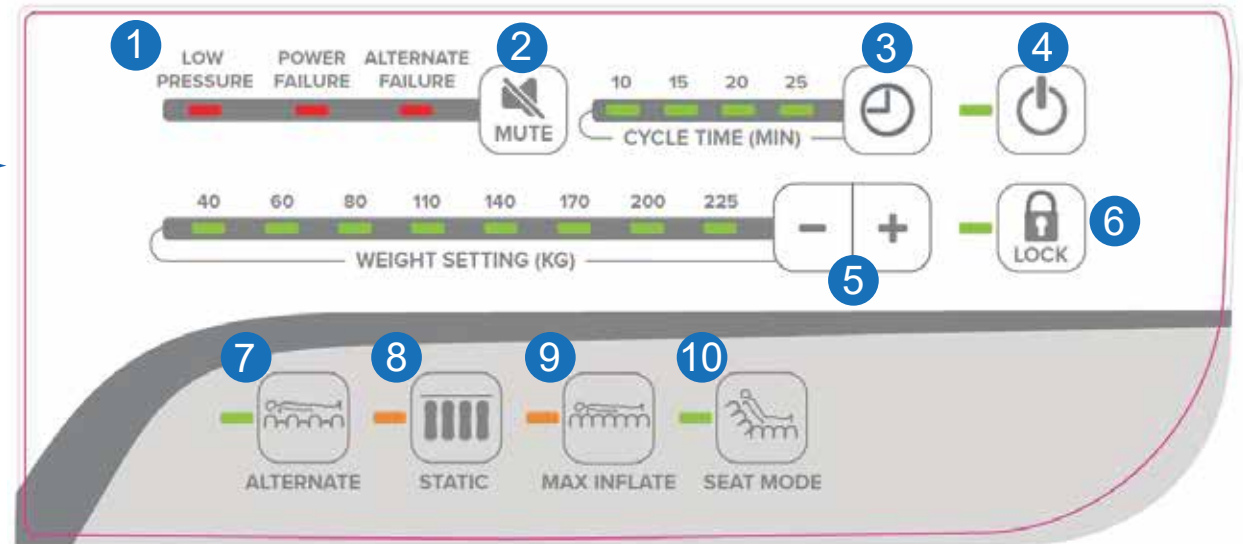
'Alto'- Air on Air Dynamic Mattress System





Pump Dimensions: 31 x 12.5 x 21cm (L x W x H)
Pump Weight: 2.5kg

***STATIC** - Static mode should be selected for ingress/egress of the bed. Static Mode also allows for clinical interventions to be performed or to fully inflate the system prior to using the 'transport mode'.



1. Visual System Alerts - Low Pressure / Power Failure / Alternate Failure (Red LED illuminated when active). Note: the Low Pressure Alert LED will flash during set-up until the system comes up to pressure
 2. Mute Button (to Mute Audible Alert) - the active alert red LED will flash to indicate the alert has been muted
 3. Cycle Time - Default 10 minutes + 15, 20, 25 minutes (illuminated green LED indicates current cycle time)
 4. Power - On/Off (Green LED when the pump is on) - Flashes Green on set-up
 5. Weight Setting - default 80kg (illuminated green LED indicates current weight setting)
 6. Lock /unlock: the pump control pad will automatically lock after 5 minutes of inactivity. To unlock press the button for 3 seconds. A green illuminated LED indicates that the control pad is locked
- Therapy Modes**
7. ALTERNATE - Alternating mode is the default therapy once the system is ready
 8. STATIC*- Static Mode - Inflates all air cells to the default or selected weight setting pressure. Touch the button to activate/de-activate (orange LED illuminated when active). The pump automatically reverts back to Alternating Mode after 20 mins (or can be manually de-activate)
 9. MAX INFLATE - Max inflate mode will automatically inflate all cells to maximum pressure with the pressure adjustment defaulting to firm. The pressure will return to the default alternating 80kg setting after 20mins
 10. SEAT MODE - to be used when the bed has been profiled. Seat Mode increases the mattress pressure by + 5mmHg. Note: the Seat Mode can only be activated in conjunction with Alternating or Static Modes.



Pump Power ON/OFF Switch

Green Switch on the side of the pump illuminates when the pump is switched on



Pump/Mattress Umbilical Cord Connector - Side of pump



Main Lead Socket - below ON/OFF Switch



Transport Mode is achieved by connecting the two umbilical cord connectors. The Transport Mode can be used for up to 8 hours to ensure that the support surface provides pressure redistribution in power outages or when transport is required.



Integral Hanging Hooks

Two hanging hooks on the rear of the pump allows the pump to be suspended from the bed footboard

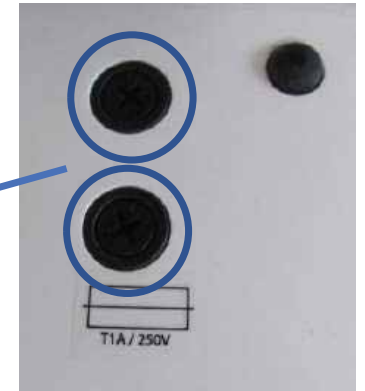


2 x Pads for pump stability and to minimise vibration



Air Filter Cover

On rear of the pump housing



Pump Fuse Holders x 2

(circled in blue)
located on the base of the pump



Dynamic Mattress System (DLR-ALT-MAT)



Mattress Dimensions: (L x W x D): 203 x 90 x 20cm
Max User Weight: 225kg (35.4st)
Mattress Weight: 7kg





DLR-ALT-MAT
ALTERNATING MATTRESS SYSTEM

= 225kg =

PLACE FEET HERE

COVER ZIP

MATTRESS CARE AND MAINTENANCE

BEFORE USE

- Check the type of mattress you are using is correct for the patient and application.
- Ensure the mattress is only strapped to the moving parts of the bed frame.
- Make sure the risk factor is suitable for the intended user.
- Ensure the mattress is compatible with the bed that it is to be used with.
- Read instructions for use, especially all safety related content.

To help prevent pressure injuries it is important that patients reposition themselves, or are repositioned regularly.

WARNINGS

- Do not fold the mattress, roll to store.
- Do not use the cover to drag the mattress.
- Do not place sharps on the mattress.
- Do not use phenol based cleaning products.
- Do not expose the mattress and bedding to any heat sources (e.g. cigarettes).

CLEANING

Clean immediately if the mattress is showing signs of contamination.

- Clean the mattress between each patient use.
- Wipe down with a clean moist cloth with a mild detergent which has been diluted in warm water (40°C).
- Rinse with cold clean water and a clean cloth.
- Mattress must fully dry before use.

WASHING

It is recommend to follow the NHS Health Technical Memorandum 01-04 which recommends washing at 65°C for not less than 10 minutes or 71°C for not less than 3 minutes.

DECONTAMINATION

The mattress must be decontaminated if it is exposed to any bodily fluids. Follow your organisations decontamination procedure, or:

- Mop up any fluids.
- Wipe the cover using cold clean water and a clean cloth.
- Wipe down with a clean cloth moistened with a 0.1% Chlorine solution (1,000ppm) in cold water. Where required a 1% Chlorine Solution (10,000ppm) may be used.
- Rinse with cold clean water and a clean cloth.
- Mattress must fully dry before use.

Warranty will be invalidated, if the above instructions are not followed. Please refer to the instructions for use for any further information.

LATEX FREE



Dynamic Mattress System (DLR-ALT-MAT)



Removable Top Cover
via 360° Zip



2 x CPR Pull Tags
for rapid deflation in an emergency



Top Mattress Cover
Navy Blue – PU multi-stretch, water resistant vapour permeable cover
Cover Complies with BS7175:1989 – Medium Hazard

White Inner Substrate to assist with identifying strike-through
and cover damage

Antimicrobial Agent
Ultra-fresh™ antimicrobial agent is fully encapsulated in the
cover to help control microbial deterioration and to help
extend the life of the covers, contributing to a reduction in cost
of ownership and improved product longevity

Welded Cover Seams to help prevent fluid ingress

Bottom Mattress Cover
Navy Blue Nylon with a PVC Coating



Ultra-Fresh

Wherever bacteria, mould, mildew and fungi compromise product performance, Ultra-fresh will take control. Ultra-Fresh antimicrobial treatments inhibit the growth of bacteria and fungi responsible for creating unpleasant smells and staining in textile and plastic products.

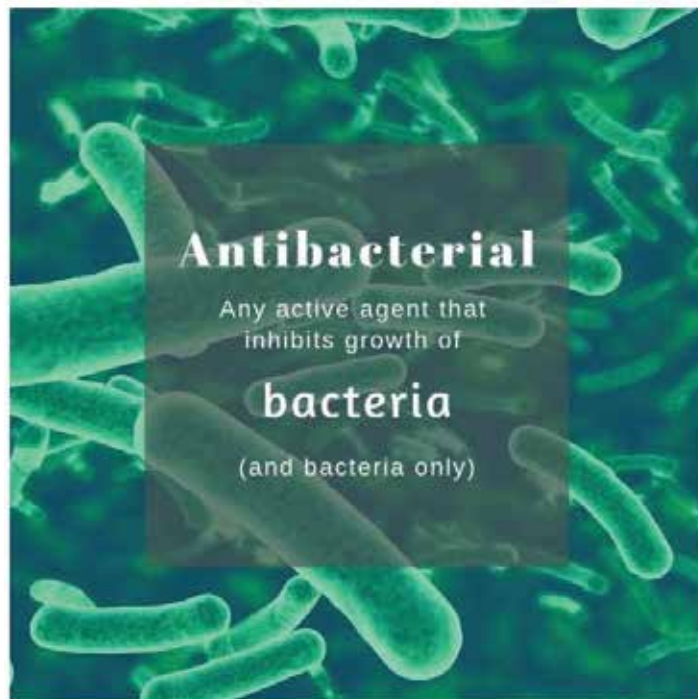
By controlling unwanted microbes, Ultra-Fresh antimicrobials help to keep products fresh, clean and odour-free.

www.ultra-fresh.com

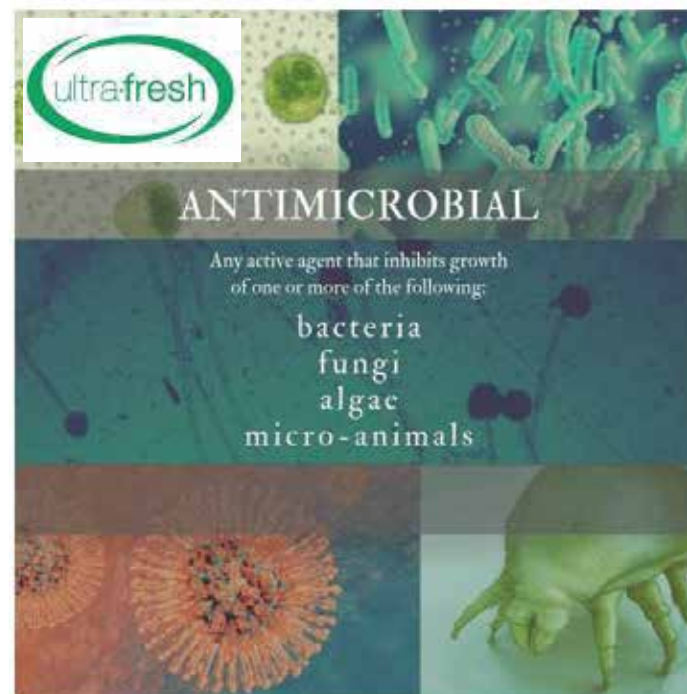




Antimicrobial Coating



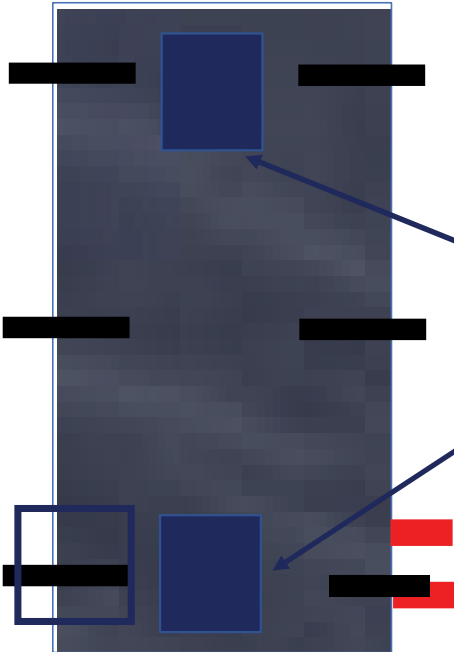
‘V’



Dynamic Mattress System (DLR-ALT-MAT)



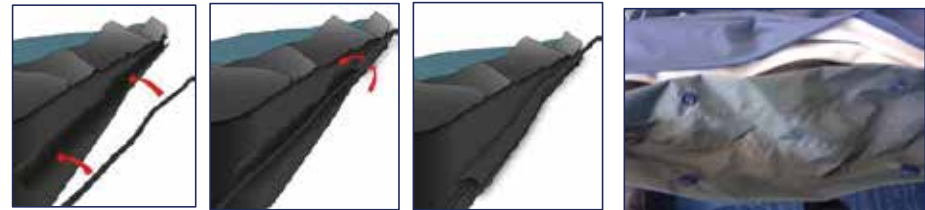
6 x Webbing Straps with 'D Rings' – allows the Mattress to be secured to the movable section of profiling beds



2 x Handles each side of mattress to assist with the moving and handling of the inflated mattress
(Note: to be used for evacuation purposes)

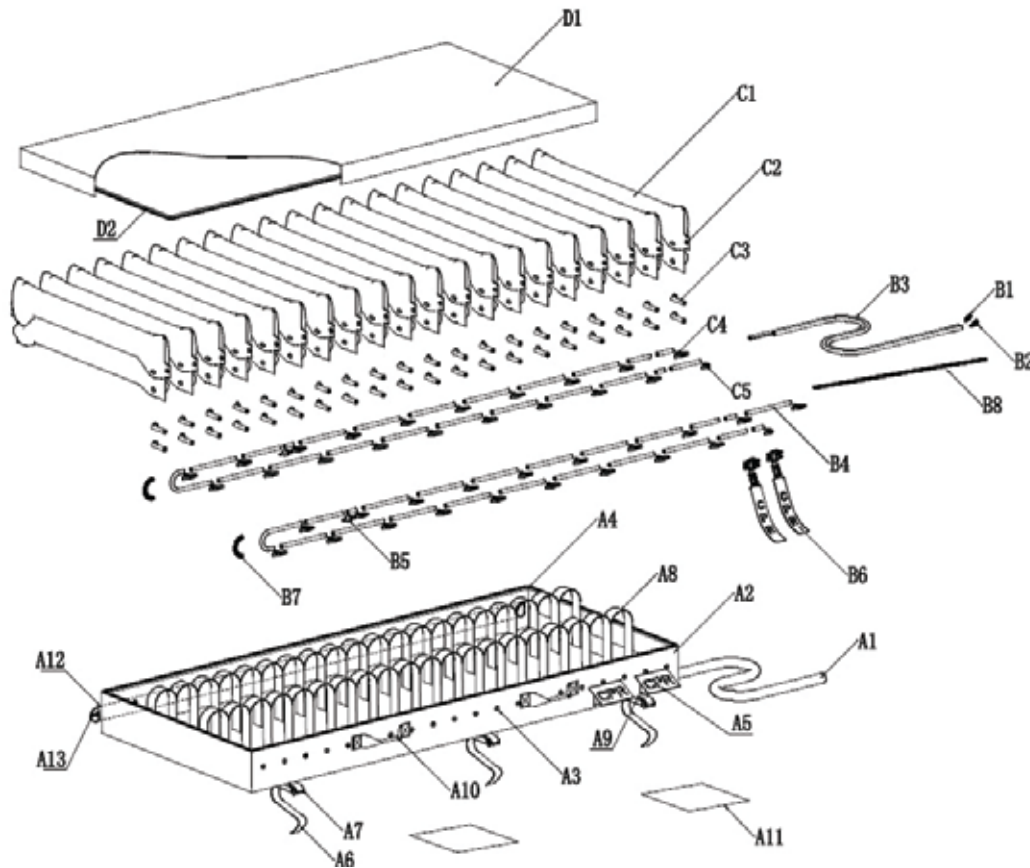


2 x Non-Slip Pads on the mattress cover base

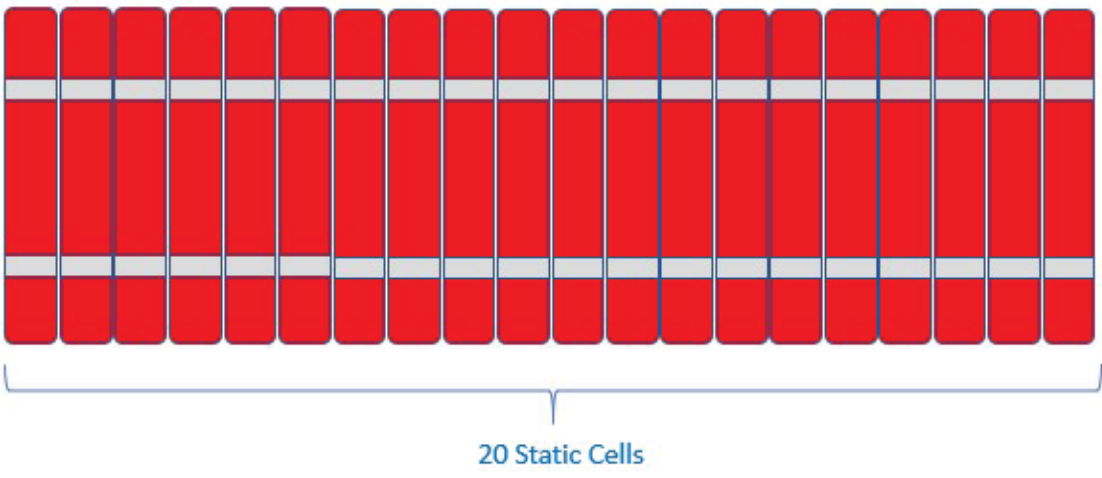
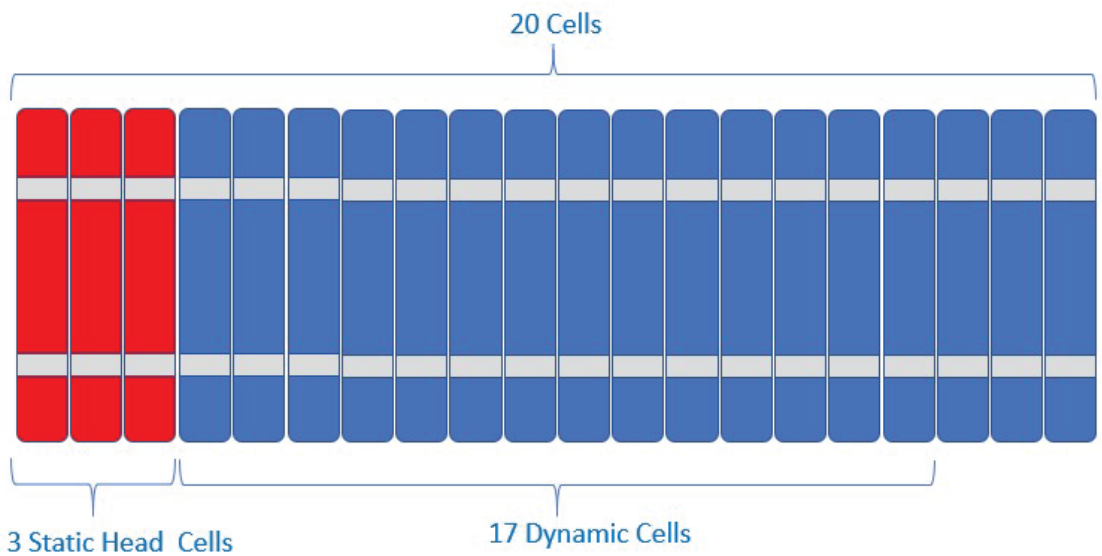


Cable Management -right hand side of mattress base cover

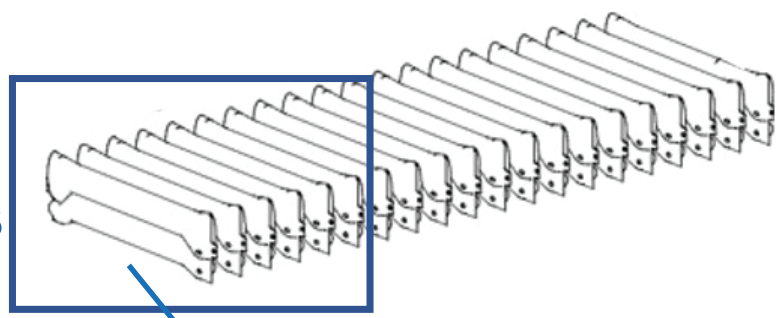
Dynamic Mattress System (DLR-ALT-MAT)



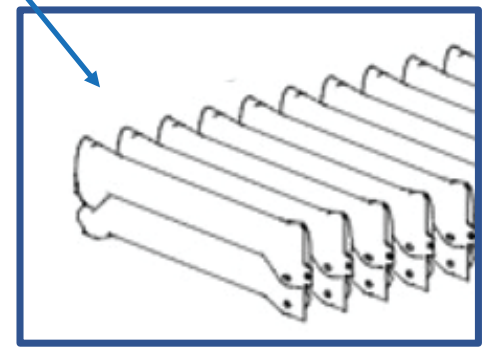
		No.	Description
D	Top Cover	D2	Zipper
		D1	Top Cover
C	Cell	C5	Air Valve (L type)
		C4	Air Valve (T type)
		C3	Air Valve
		C2	Female Button
		C1	Air cell
B	Tubing	B8	Inlet air pipe Spring
		B7	Spring
		B6	CPR
		B5	One way valve
		B4	Air Tube
		B3	Intake Tube
		B2	LT Quick Connector - Female
		B1	LT Quick Connector - Male
A	Base cover	A13	Cable management Zipper
		A12	Cable management
		A11	Anti-slip pad
		A10	Carry Handle
		A9	Strap reinforce pad
		A8	Cell Retainer Loop
		A7	Buckle
		A6	Fixing Strap
		A5	CPR Cover Sheet
		A4	Zipper
		A3	Male Button
		A2	Bottom Sheet
		A1	Tube Sleeve



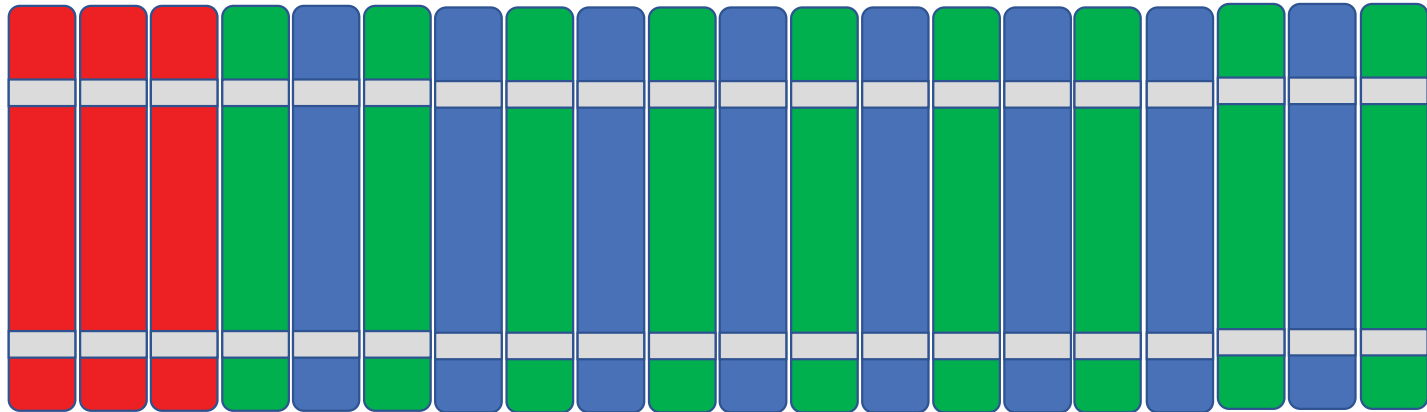
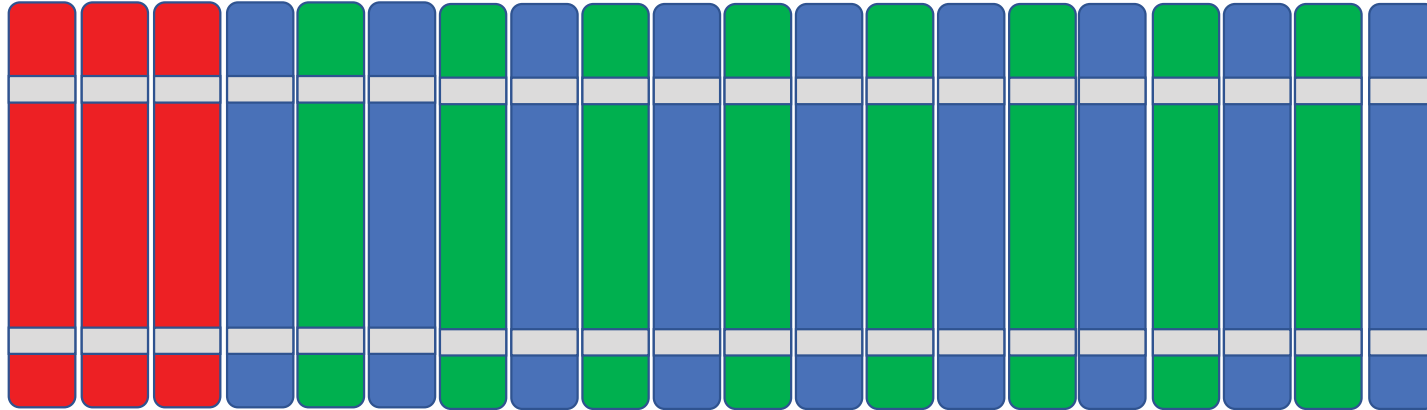
Top Cells



Base Cells



Note 'Air on Air' Mattress Construction
20 x Top Cells (3 Static + 17 Alternating)
On 20 Static Base Cells



Top Cells

Alternating Mode (Default)

AB (2 in 1) Pattern

Default Cycle Time 10 minutes
(with option of 15, 20 or 25 minutes)

Dynamic Mattress System (DLR-ALT-MAT) - Packaging

DLR-ALT-MAT
 QTY: 1
 N.W: 13.0 kg
 G.W: 14.0 kg
 DIMS: 58 x 41 x 41 cm
 C/N:
 MADE IN CHINA



Product Code: DLR-ALT-MAT
Carton Dimensions (L x W x D): 58 x 41 x 41cm
Carton Weight (Pump + Mattress): 14kg
Warranty: 2 Years

Single Unit Carton – Pump + Mattress
 (No Shipper carton)

Manufacturers Ref: EFFECT 8410
 Grand Healthcare - Airflo (Xiamen) Medical Co. Ltd



	CODE/REF	GTIN	EAN
Dynamic Mattress System	DLR-ALT-MAT	06972910600271	6972910600271

Pump (+ Power Lead) - Single Unit Carton
 supplied within rolled mattress in a
 polybag

Dynamic Mattress System (DLR-ALT-MAT)



LOGO



Gel Logo (for visual purposes only)

Option for the Distributor to add their logo to the pump housing

('Gel logo's' to be supplied by Drive for adding to pump housing by the Distributor)

Note: this cannot be done by Drive